

SYMETRICS Deck-mounted basin spout with pop-up waste - Chrome

13 710 740



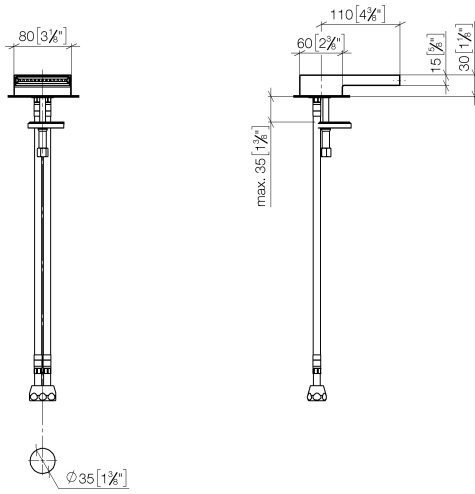
- 110mm projection
- fixed spout
- PEARLSTREAM
- height of mixer 30 mm
- height up to aerator 15 mm
- hole diameter 35 mm
- 2x screw-in M 10 x 1 pressure hose, leak-tested
- 1/2" connection
- max. flow 5 l/min
- lead-free

Only suitable for basins with an overflow.

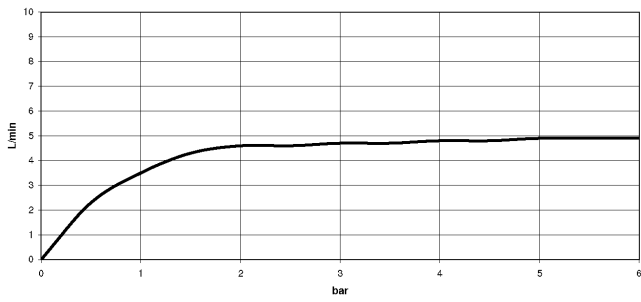
SYMETRICS Deck-mounted basin spout with pop-up waste - Chrome

13 710 740

mm [inches]

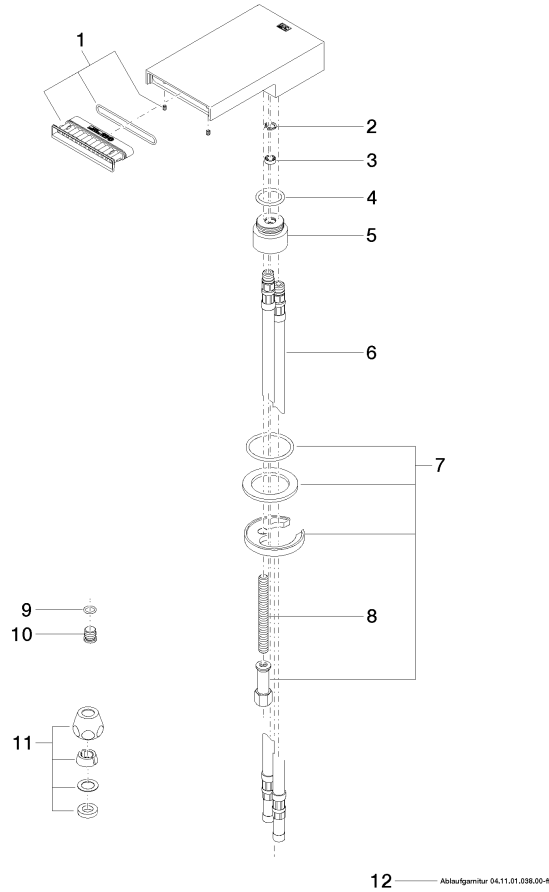


Flow rate chart



SYMETRICS Deck-mounted basin spout with pop-up waste - Chrome

13 710 740



Spare parts list

| No. | Item Number | Name | Quantity used | Delivery time |
|-----|--------------------|---|---------------|---------------|
| 1 | 90 29 03 065 00 90 | insert | 1 | 2 |
| 2 | 09 16 01 016 90 | ring | 1 | 2 |
| 3 | 09 23 01 033 90 | flow reducer | 1 | 2 |
| 4 | 09 14 10 100 90 | seal | 1 | 2 |
| 5 | 09 11 10 093 90 | connection | 1 | 2 |
| 6 | 04 30 04 016 00 90 | hose | 2 | 60 |
| 7 | 04 30 11 038 74 90 | fixing set | 1 | 2 |
| 8 | 09 31 11 011 90 | pin | 1 | 2 |
| 9 | 90 14 10 060 00 90 | seal | 1 | 2 |
| 10 | 09 31 20 065 90 | plug | 1 | 2 |
| 11 | 90 23 30 040 00-00 | threaded connector | 1 | 10 |
| 12 | 10 125 970-00 | Basin Waste with push fastening 1 1/4" - Chrome | 1 | 2 |